



## Seculock

## Technical Data

### Black UV Stabilised High Density Polyethylene

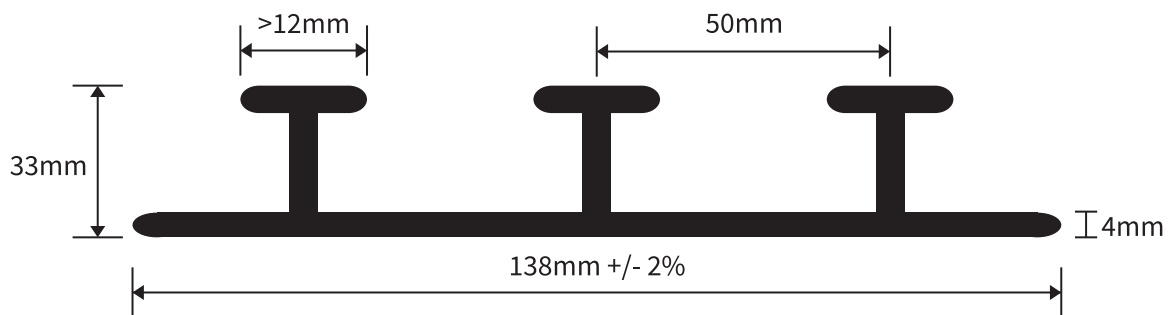
Uniformly extruded HDPE profile, specifically designed for use with smooth HDPE liners or with HDPE corrosion protection liners to provide a very effective termination detail between HDPE liners and concrete structures.

Seculock is available in long lengths and is UV stabilised for long term exposure to sunlight. It is produced from high-grade resin, providing broad compatibility with modern HDPE lining materials.

Properties	Test Method	Unit	Value	Frequency
Thickness min avg. ( $\pm 10\%$ )	ASTM D 5199	mm	4	600kg
Density	ASTM D 1505/D 792	g/cc	$\geq 0,940$	600kg
Carbon black content	ASTM D 4218	%	2 to 3	5700kg
Carbon black dispersion	ASTM D 5596	Category	1 or 2	5700kg
Tensile properties • yield stress * • break stress * • yield elongation * • break elongation *	ASTM D 6693 TYPE IV	kN/m (per mm) kN/m (per mm) % %	15 * 27 * 12 * 700 *	600kg

Standard stock length is 5.7m

\* denotes measured on smooth portion of Seculock T



For further information on this product, please contact us at:

Email: info@aks.co.za

Tel: +27 21 983 2700

18 London Circle, Brackengate Business Park  
Brackenfell, Cape Town, South Africa

[www.aks.co.za](http://www.aks.co.za)

Technical data refers to average values, measured across the manufactured width of the sheet. This information is expressed as a guide and based on values measured in our laboratory as well as independent laboratories. The quoted values are based on specific resin properties and are subject to change without prior notice.